



OPTIONALS

OPTIONALS - HEATING



WEBASTO FULL HEATING SYSTEM + SMART CONTROL



COPYRIGHT © WEBASTO

COPYRIGHT © WEBASTO



COPYRIGHT © FIM CARAVANS 2020

OPTIONALS - REFRIGERATION



VITRIFRIGO 12V FRIDGE-35 LITRES STORAGE CAPACITY

COPYRIGHT © VITRIFRIGO

VITRIFRIGO

COOL AND BEYOND



COPYRIGHT © VITRIFRIGO

COPYRIGHT © FIM CARAVANS 2020



MOVERA

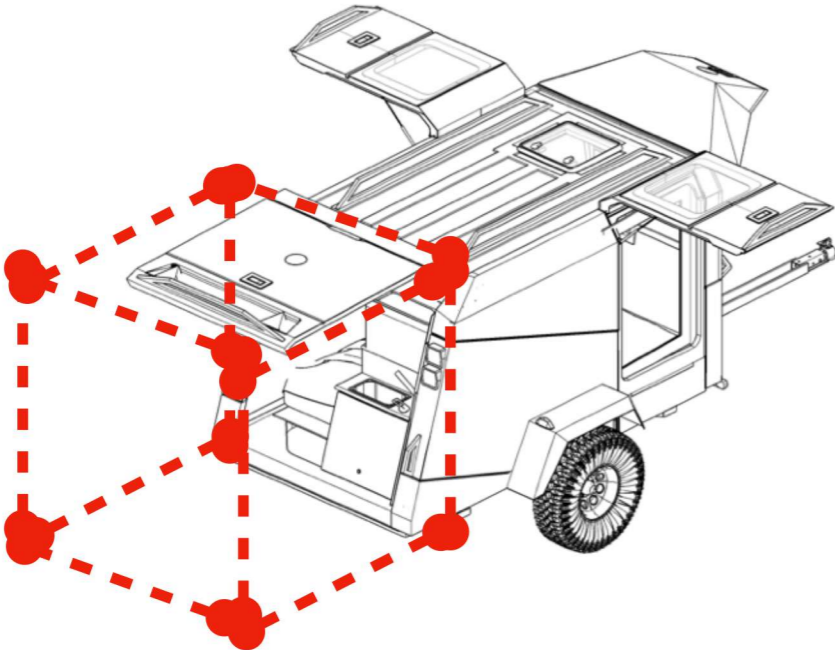
12V PORTABLE A/C





MOVERA

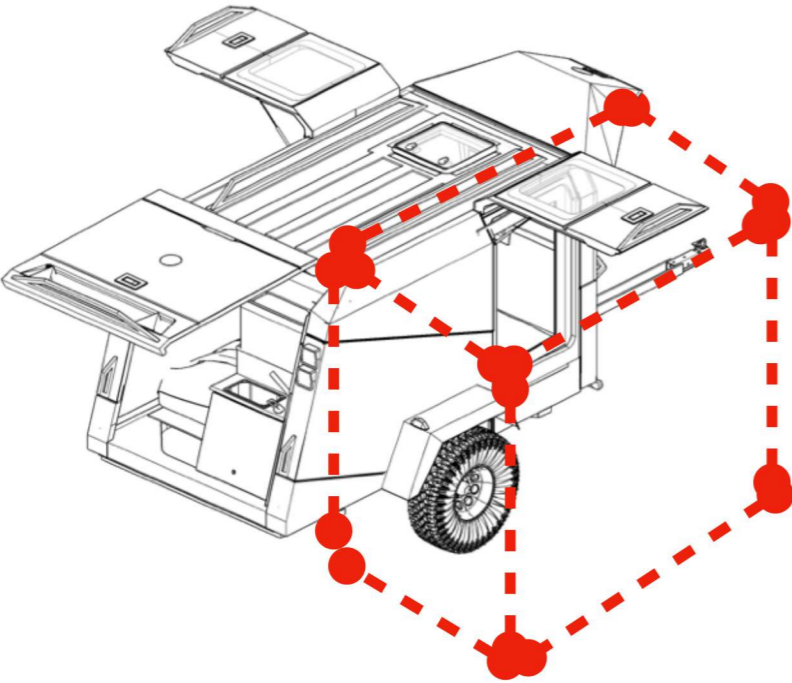
BACK END TENT FOR KITCHEN AREA





MOVERA

SIDE CLOSING TENT Product number: 93701





SHOWER\TOILET TENT Product number: 93701



MOVERA



FRONT CARAVAN REMOTE MOVER

Links:

<https://youtu.be/joa17UxIAx8>



- No mounting costs
- No weight gain or loss of headroom for the caravan
- No holes or welds in the caravan during mounting
- Stored in a transport bag when not in use
- No soiling from oil, water and road dirt
- No wear on the tyres
- Speed – 9 metres per minute
- Handles inclines of up to 10%
- 30 minutes of working time, fully charged



**BICYCLE RACK SUPPORT
FRONT SHIELD
STANDARD-SILVER**



**BICYCLE RACK SUPPORT
FRONT SHIELD
"RAPTOR" PAINT COATED**



MOVERA

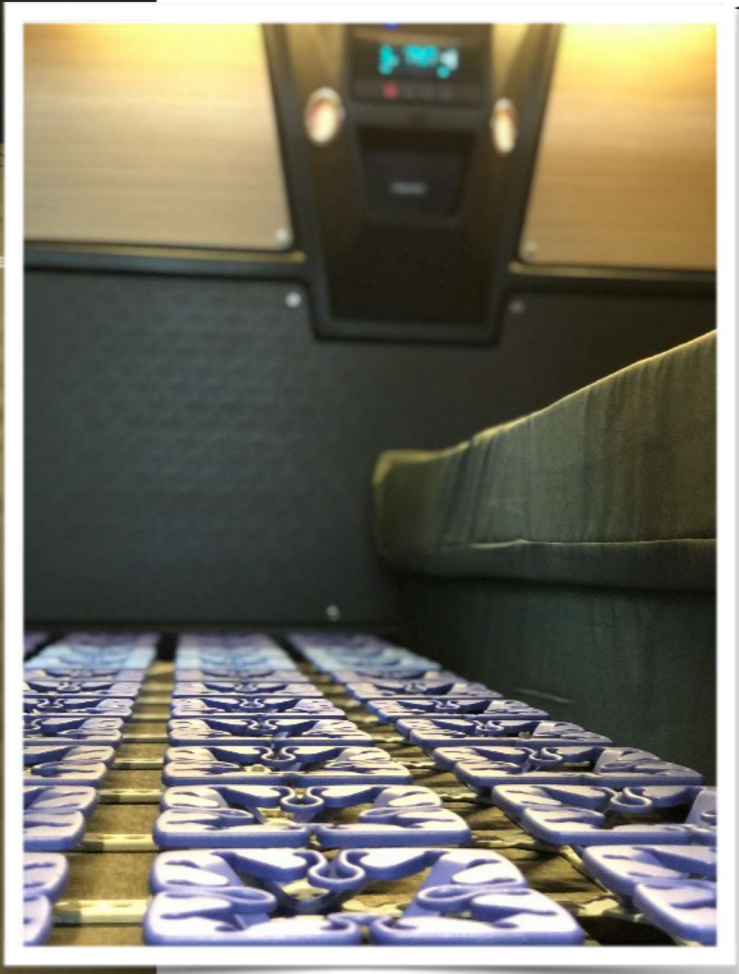
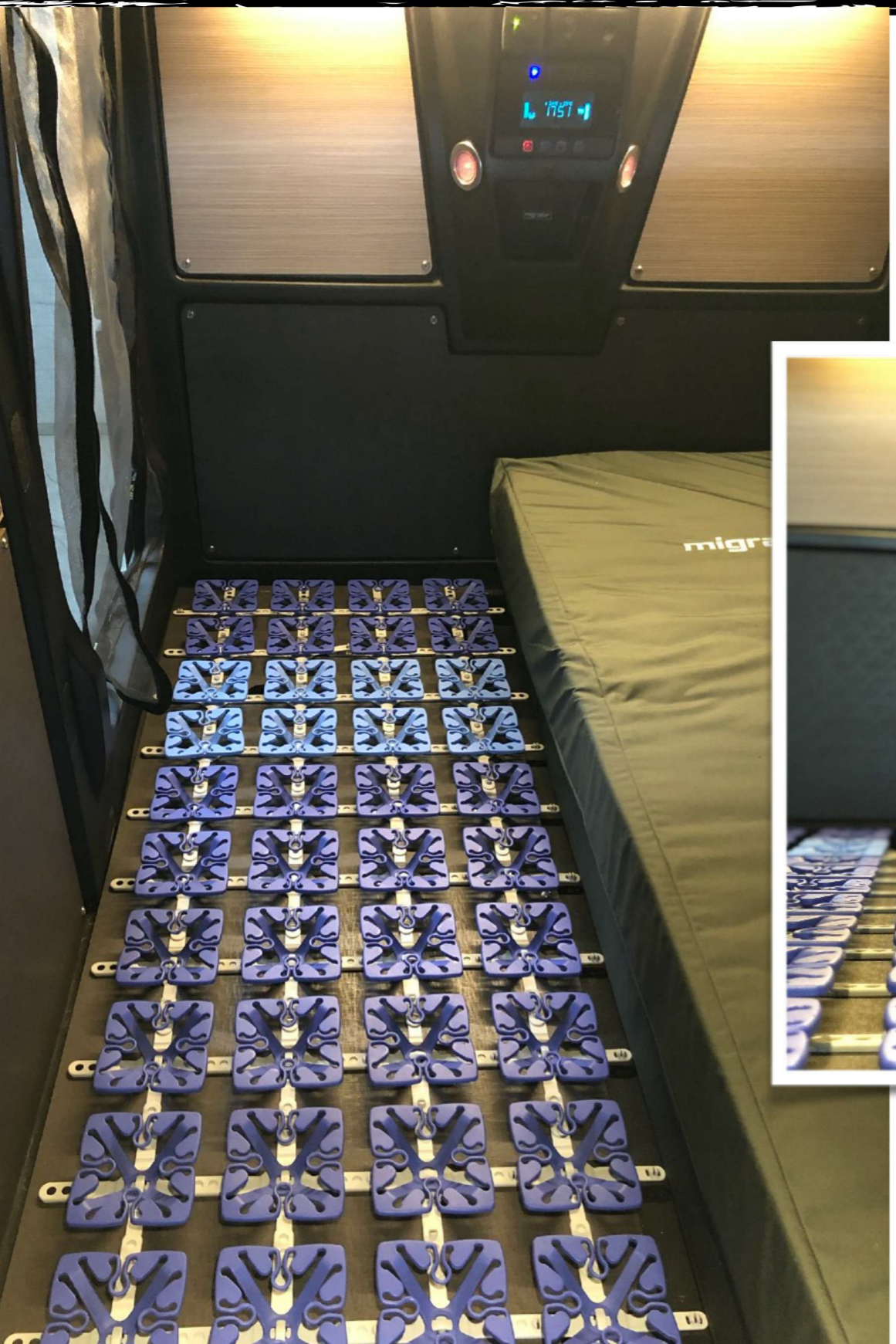
COUPLING COVER



OPTIONALS - ACCESSORIES



MATTRESS COMFORT SYSTEM



MOVERA



Apollo Stone Touch

MOVERA



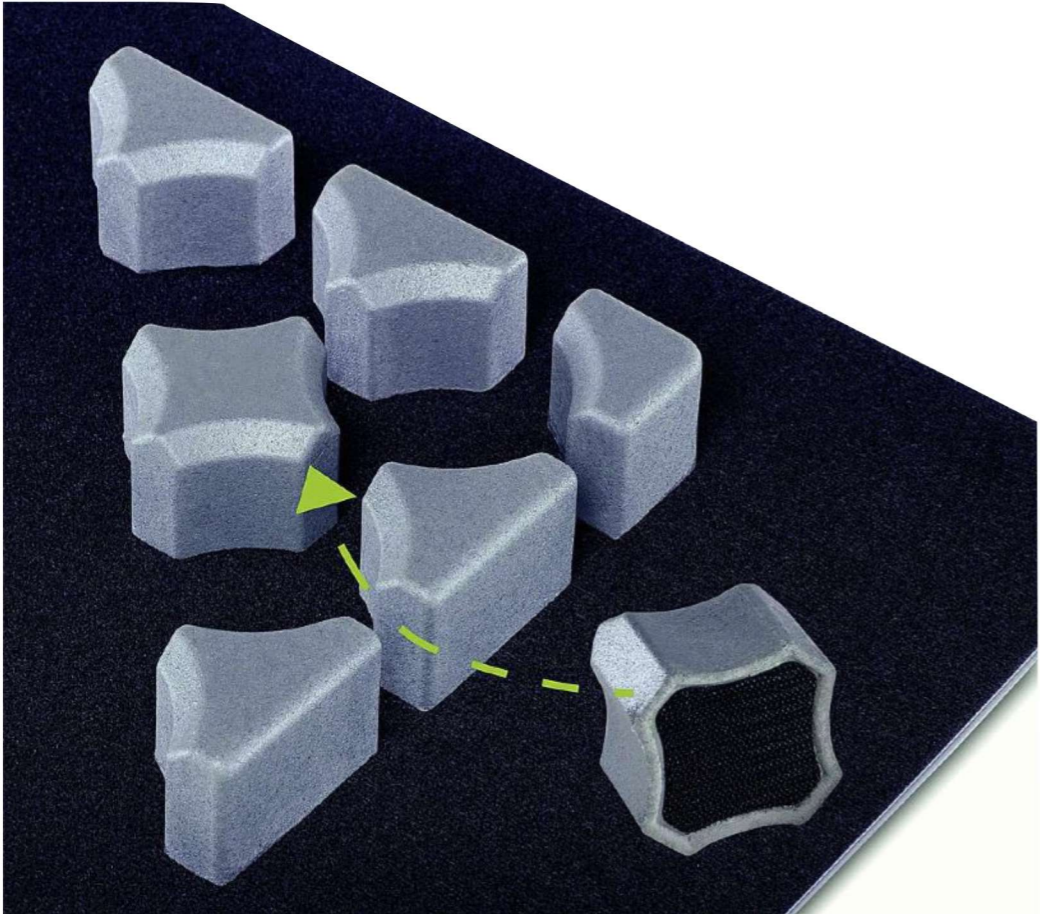
Belfiore





VARIO FIXING MODULES

MOVERA



VARIO BASE FOR FIXING

51cm x 31cm

OPTIONALS - PLATES & CUPS HOLDERS



VARIO FIXING MODULES

MOVERA

6 MODULES



OPTIONALS - PLATES & CUPS HOLDERS



PLATES HOLDERS

MOVERA

OPTIONALS - CUTLERY



Bo-Camp

MOVERA

OPINEL





MOVERA



FORK HOLDER



KNIVES HOLDER



SPOON HOLDER



WASTE BASKET

MOVERA



PORTABLE TOILET

MOVERA



KITCHEN CABINET

* **KITCHEN CABINET OPTION**

* CAN BE ADDED, **(ALSO) RETROFIT**, INCLUDES 40 LITRES WATER TANK, WATER PUMP, EXT. SHOWER SOCKET, SHOWER CORD, INTERIOR WATER SINK WITH 12V WATER TAP

OPTIONALS - PORTABLE TOILET- NOT RETROFIT



LEFT EXTRA DOOR

*

LEFT DOOR OPTION

CAN BE ADDED (**FACTORY, NOT RETROFIT**), INCLUDES SAFETY GLASS WINDOW & MOSQUITO NET, HINGES & DOOR LOCK, ILLUMINATED STEP STAIR FOR EASY ENTERING

**** Please note that products and specifications are subject to change without notice,
due to errors or changes. To ensure that the product specifications and prices are valid and correct,
please contact Adventourist BVBA.*

ADVENTOURIST.EU

INFO@ADVENTOURIST.EU